



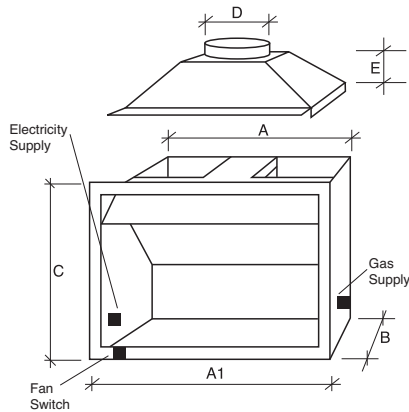
Installation Instructions

Jetmaster 850 Gas Log



Installation Instructions Jetmaster 850 Gas Log

Jetmaster gas logs are fuel effect appliances intended for use in a fireplace suitable for the burning of wood. It is recommended that the Jetmaster gas log be placed in a properly installed Jetmaster Convector firebox in order to ensure an adequate draught and greater efficiency. The Jetmaster open fire is an approved open fire to burn wood. The following size fireboxes are available for the Type I burner to be inserted into. The firebox can be installed into an existing fireplace subject to the chimney being the appropriate size and in sound condition. The firebox can also be installed from new with a gather and flue.



(DIMENSIONS IN MILLIMETERS)

	A	A1	B	C	D	E
850	920	950	450	750	250	220
850 LOW	920	950	450	700	250	220

850 MK 4 gas log Burner. Suitable for model fireboxes 850 - 1050

IMPORTANT: An authorised person in accordance with the manufacturer instructions should only carry out installation of this appliance. All relevant codes including AS5601/A.G. 601 and regulations laid down by the gas supply authorities, uniform building regulations and the requirements of local municipal Authorities must be observed.

Model Type I Decorative Gas Log Fire

850 GAS LOG BURNER

MODEL	WIDTH	HEIGHT	DEPTH	WEIGHT
850MK4	841mm	215mm	260mm	17kg

DATA PLATE: Refer to data plate for information in respect of gas pressure, consumption and gas type, Natural or LPG. The data plate is located to the side of the grate.

Location Requirements

1. The fireplace construction must be non- combustible and in accordance with the current Building Regulations for chimney and fireplaces intended for solid fuel use.
2. The flue and/or chimney should be tested and proven to have an adequate updraft which shall be sufficient to remove all waste products of combustion. A minimum cross-sectional area of 40 000-sq. mm is required with a minimum chimney flue height of 3.6 meters. The installer must satisfy himself that the fireplace is functioning properly and a smoke test is recommended.
3. In cases where a twin walled metal flue is used and provided such flue shall comply with the clearances specified in AS 2918 and AS5601 or manufacturer instructions in respect of clearances to combustibles.
4. A space of 40mm between the side wall of the fireplace and grate is required.
5. In cases where a metal flue is used, such flue shall comply with the standards relating to grade, quality and thickness as are current.
6. An AGA approved flue cowl with a minimum cross-section of 40 000-sq. mm shall be affixed to the top of the flue or chimney. Refer to AS5601 Clause 5.12.13.5.
7. When the fire is installed into an existing firebox/fireplace, the damper plate must be permanently fixed in the fully open position. Refer to AS5601 5.12.13.4. Where a "Jetmaster" firebox is supplied as part of the Jetmaster Gas Log Fire Model 850 mark 4 appliance, the damper has been factory set and sealed and is not to be adjusted.
8. It should be noted that the Code AS2286 (Space heating appliances-secondary guards) requires a dress guard to be affixed to the appliance or fireplace.
9. Ventilation- An opening to outside with a minimum free ventilation area of 400 Square centimeters shall be provided for each decorative gas log fire. Note: The chimney in which the appliance is installed is not to be considered as ventilation opening. Refer AS5601 Clause 5.12.13.2 and 5.12.13.3.
10. The appliance shall be installed into a fireplace with a minimum opening of 850 width and 300mm depth 500mm height and shall be no greater than 1050 mm width and 400mm depth and 530mm height. (Note diagram indicating firebox sizes.)
11. Combustible materials to be no closer than 100mm either side of fireplace opening and no closer than 150mm above the opening. The firebox should have a non- combustible hearth in front of the firebox.

Installation Instructions Jetmaster 850 Gas Log

Installation: Fitting the Gas Grate

1. Check unit is suitable for intended gas supply.
2. The position of the gas control and inlet is on the right hand side and is 3/8" B.S.P. female connection. Check that the chimney is clear prior to fitting.
3. In an existing fireplace or Jetmaster firebox (if being used) drill a 15mm hole through the right hand side of the fireplace(as you face it) at a point of 85mm from the base and 85mm from the rear wall(if providing stop cock in firebox). 85mm from front wall (if stop cock is outside firebox).
4. Cut and debur both ends of pipe. Fit the end to the gas supply point and turn on for approximately 5 seconds to clear the pipe of any dirt or grit. Fit the other end to the gas unit.
5. The regulator is included on the S.I.T. control for Natural or LPG gas.
6. Turn on the gas and check all connections for leaks using soapy water or approved method. Fix any leaks.
7. Possible carbon deposition may occur on the appliance incorporating live fuel effect.

Adjusting Pressure, Pilot and Low Fire

1. All settings are set to operate at appropriate pressures (see data plate). Test point is located on gas valve.
2. Check low fire if adjusted correctly.
3. The pressure can be measured on the gas valve and the regulator adjusted to the appropriate pressure (see data plate affixed to side of the appliance.)

Lighting Instructions

PILOT FLAME IGNITION

Locate control knob on right hand side of valve. Depress and turn control knob (FIG 1) to the ★ PILOT position (FIG 4). Depress the control button and ignite with piezo igniter (FIG 2) whilst keeping control knob firmly depressed for 20 seconds. Check that pilot stays lit. If it goes out repeat ignition procedure.

MAIN BURNER IGNITION

Depress and turn control knob anti-clockwise from ★ PILOT position to the ☞ ON position (FIG 5). The burner will not ignite if the rocker switch is depressed in the OFF position (FIG 3). To light main burner press rocker switch to ON position (FIG 3).

TO TURN MAIN BURNER OFF WITH PILOT REMAINING BURNING

Depress rocker switch to OFF position. (FIG 3)

Main burner can also be turned off by the use of control knob. This is done by turning control knob clockwise to ★ PILOT position (FIG 8). Control knob will need to be turned back to ☞ ON position (FIG 5) to light main burner.

TO TURN MAIN BURNER OFF OR ON WITH OPTIONAL WALL SWITCH

Pilot must be burning.

Control knob is in the ☞ ON position. (FIG 5)

Rocker switch is in the OFF position. (FIG 3)

Wall switch can now be activated.

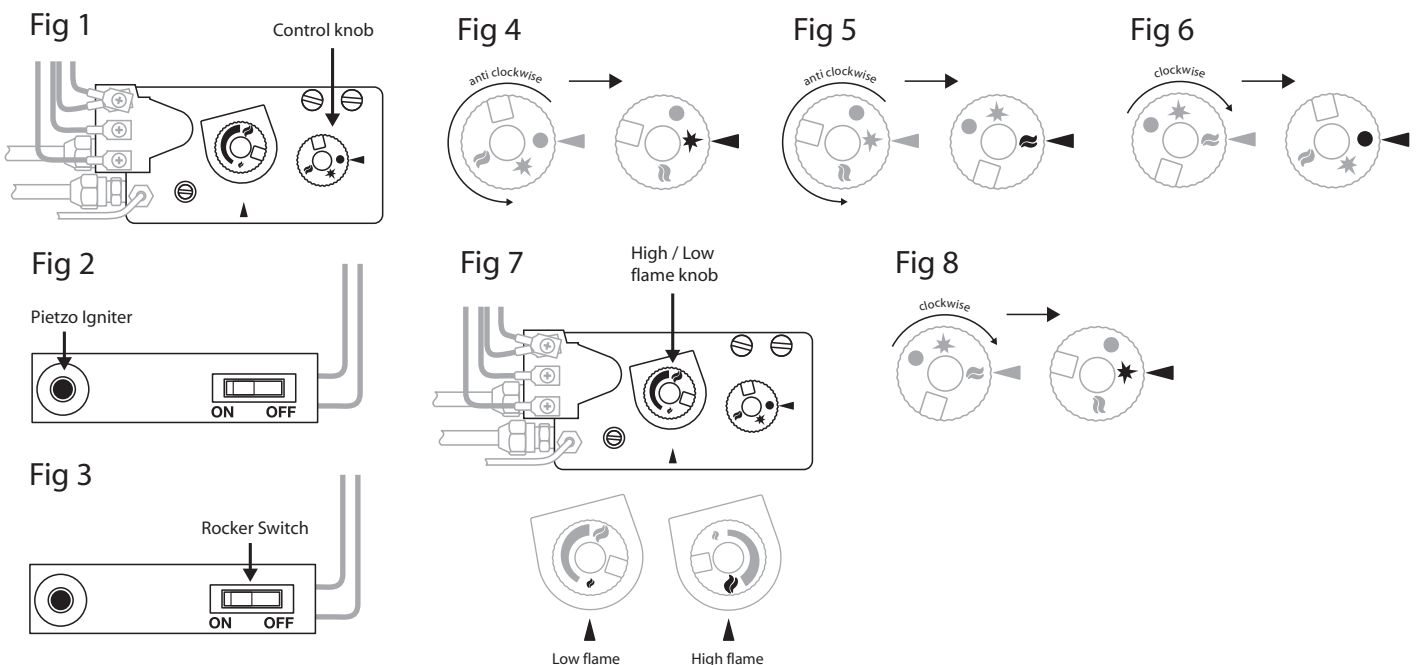
Important! Wall switch can only be activated if rocker switch is in off position.

TO TURN PILOT AND MAIN BURNER OFF

Depress and turn control knob clockwise from ☞ ON position (FIG 5) or ★ PILOT position (FIG 4) to the ● OFF position (FIG 6).

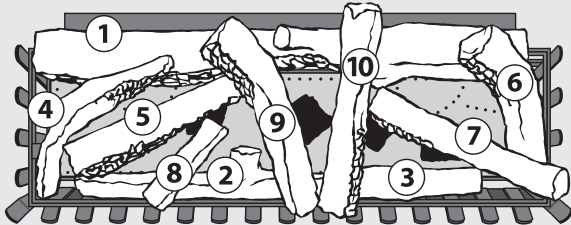
TO TURN MAIN BURNER HIGHER OR LOWER

Turn high / low flame knob to obtain high or low fire (FIG 7).



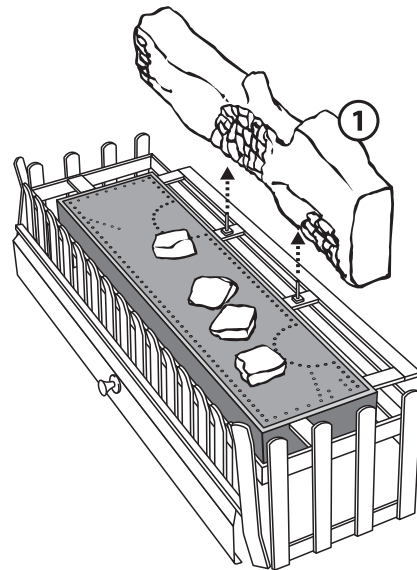
Installation Instructions Jetmaster 850 Gas Log

Ceramic Log Positioning for Gas Fires

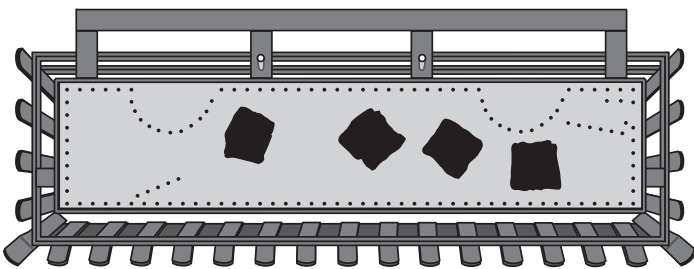


POSITIONING OF ALL LOGS

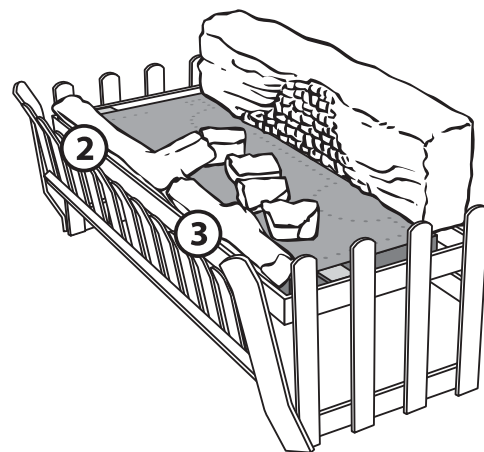
- It is important to follow the log recommended positioning.
- Log NO. 6, 10, 9 and 4 must be pinned to rear log with pins provided.
- Not doing so can adversely effect the operation of the appliance.
- This diagram shows the recommended log positions, when viewed from above.



2. LOCATE LOG NO. 1: This is the largest log that is positioned at the rear of the grate. Two locating pins are positioned at the rear of the burner. The large log has two holes on the underside to position in place.



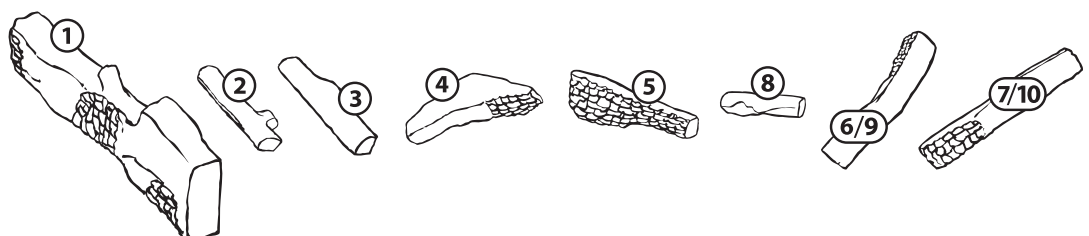
1. LOCATE 4 CERAMIC COALS: Four ceramic coals are supplied with the burner base. These coals must be laid in the position indicated on the drawing with the taller coals on the ends and smaller coals in-between.



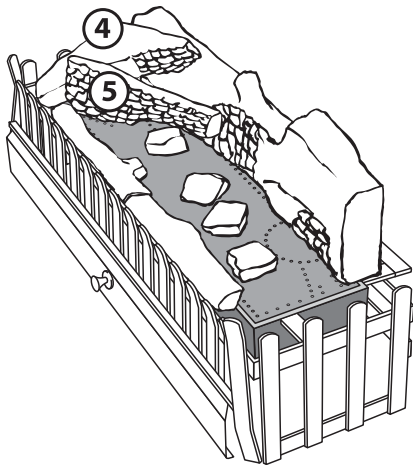
3. LOCATE LOG NO'S 2 & 3: Two front log NO'S. 2 & 3 are supplied to fit into the space between the metal frame and the ceramic base. These logs do not cover the front burner ports but are designed to deflect the front flame back into the fire.

LOGS

Only use logs supplied by the manufacturer as other logs may effect combustion performance.

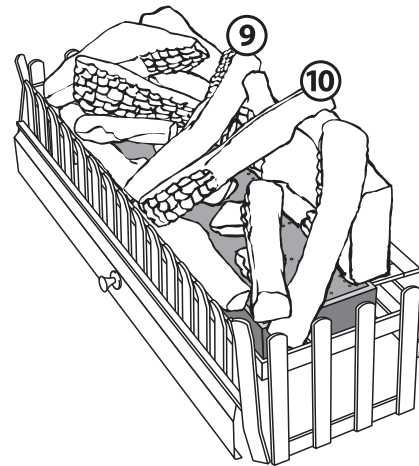


Installation Instructions Jetmaster 850 Gas Log



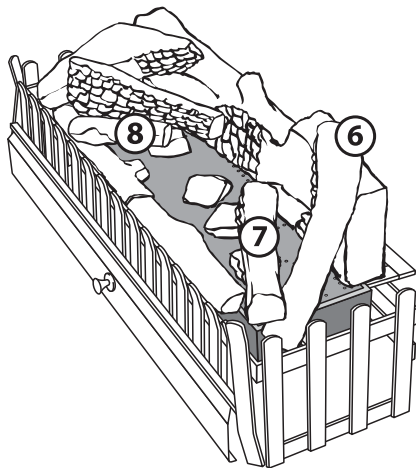
4. LOCATE LOG NO. 4. Place it on the left side of the rear log. Charred end facing inwards.

LOCATE LOG NO. 5. This log is placed with the thinner edge on the smaller coal. The charred effect is facing towards the front of the burner. The whole log is positioned on the burner base.



6. LOCATE LOG NO. 9. This log is placed on the rear log in the centre of the burner. Charred effect facing toward the left of the burner. The front rests on logs 2 & 3 on the join.

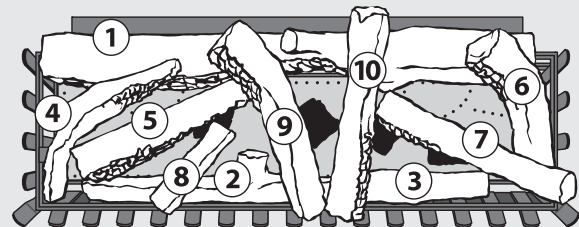
LOCATE LOG NO. 10. This log is located on the rear log in the position where the log reduces in height. The charred end is located on the front log 3 with the charred effect facing toward the right hand side.



5. LOCATE LOG NO. 6. Place this log on the right hand side of the burner on the rear log in front of the pilot. Charred end facing inwards. The left hand side of the log is positioned between the metal uprights on the side of the grate.

LOCATE LOG NO. 7. The charred effect of the log is positioned on the smaller coal in the centre of the burner on the right hand side.

LOCATE LOG NO. 8. This smaller log is placed on the top of log NO. 2 and rests on the left hand coal in the centre of the burner.

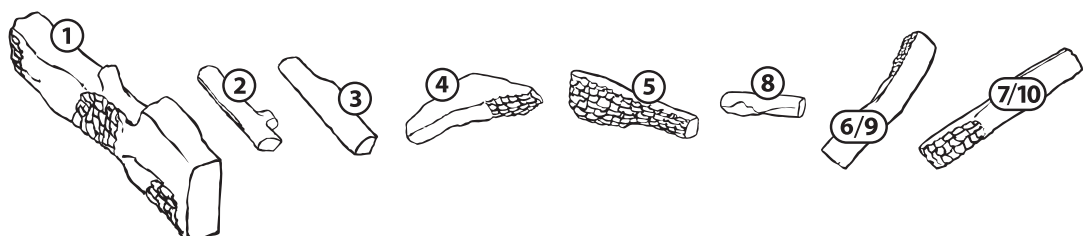


POSITIONING OF ALL LOGS

- It is important to follow the log recommended positioning.
- Log NO. 6, 10, 9 and 4 must be pinned to rear log with pins provided.
- Not doing so can adversely effect the operation of the appliance.
- This diagram shows the recommended log positions, when viewed from above.

LOGS

Only use logs supplied by the manufacturer as other logs may effect combustion performance.



Installation Instructions Jetmaster 850 Gas Log

Commissioning Procedure

Installed correctly the burner should not emit any fumes into the room. The following procedure should be undertaken to test that the unit is operating correctly.

1. After unit has been operating for a short period a smoke match, smoke tube, carbon dioxide analyser or similar should be directed at the top opening of the unit.
2. This procedure should be undertaken with the following conditions in the room:
 - Open or closed windows
 - Operation of extraction/exhaust fans, range hoods etc
 - Operation of other gas appliances
 - Operation of optional appliance fan at any speed.
3. Should any spillage be detected the cause must be rectified before allowing commissioning of unit.

User Instructions

- I. **WARNING NOTE:** Properly installed and operated this appliance will not leak gases. Persistent fume emission must not be tolerated. If fume emission does exist, then the following immediate action should be taken.
 - A. Open doors and windows to ventilate room.
 - B. Turn the fire off.
 - C. Check for flue blockage and clear if necessary.
 - D. Do not attempt to relight the burner until the cause of the emission has been identified and rectified. Should assistance or advice be required contact nearest agent or Jetmaster.

E. The gas grate is recommended for use in a Jetmaster firebox which has been designed to ensure a proper draw and to eliminate emission spillage.

2. Initially the Jetmaster log fire may burn with a slightly blue flame. After approximately 20 minutes the fire will settle down and burn with a yellow flame.
3. As with all gas appliances your gas log fire should be regularly serviced. We recommend once each year. Contact your nearest Jetmaster authorised agent to provide service. The routine for an authorised person to follow has been set out in an attached leaflet.
4. **PLEASE NOTE:** Only logs provided by Jetmaster should be used with this appliance.
5. **DO NOT** place articles on or against this appliance.
DO NOT use or store flammable materials near this appliance.
DO NOT spray aerosols in the vicinity of this appliance whilst it is in operation.
Primarily a decorative appliance not certified as a space heater.
6. The appliance is a live fuel effect product designed to operate with luminous flames and may exhibit slight carbon deposition.

Warranty

Provided the appliance has been correctly installed according to instructions, Jetmaster guarantee the cost of replacing parts and the labour in connection therewith for a period of 12 months from the date of installation. Should the appliance be subject to a service contract the replacement of the parts and the service involved in such replacement shall be at no charge to the owner and the Warranty shall be extended to 3 years (provided of course the appliance had been continuously serviced by an approved Jetmaster agent).

NOTES

For further information contact Jetmaster Australia



10 Martin Avenue, Arncliffe NSW 2205 T: 02 9597 7222 F: 02 9597 7622

E: sales@jetmaster.com.au W: www.jetmaster.com.au