

HEAT & GLO™



DESIGNED | *to inspire*

CURVE
Wood Stove

CURVE

Innovative engineering bolsters an elegant design.

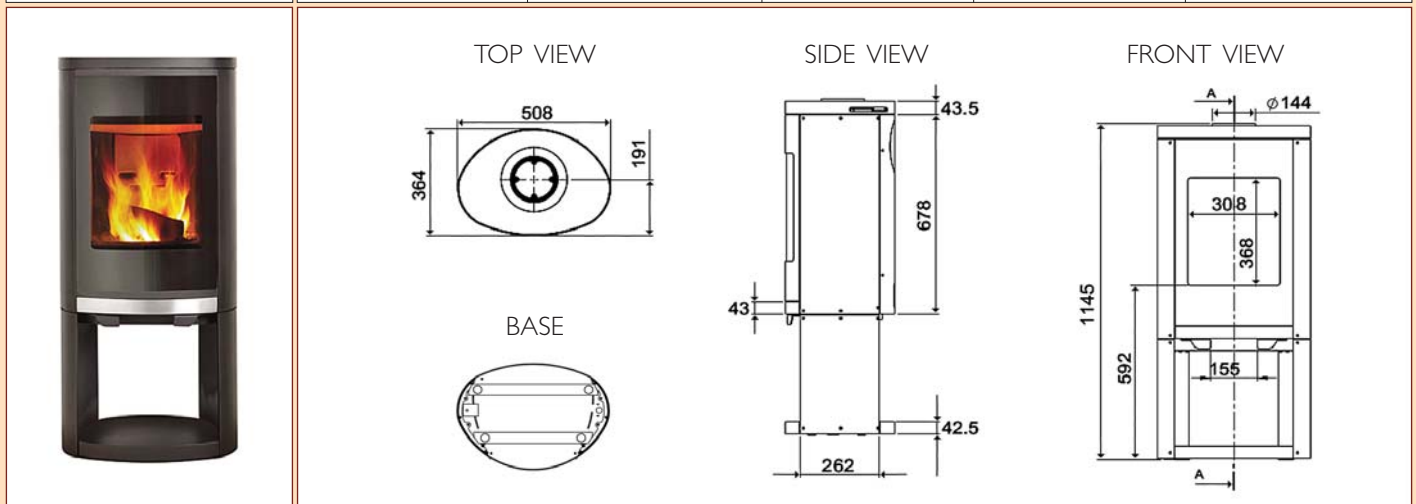
This highly efficient wood stove has a smooth, compact design that works well with modern home styles. And best of all, the advanced clean burn technology makes the Curve a true eco-friendly choice. Enjoy many user-friendly features and innovations designed to make this stove perfect for everyday operation.

Right: CURVE 100G-HS



CURVE 100G-HS Specifications

MODEL	WIDTH	HEIGHT	DEPTH	EFFICIENCY	kWh OUTPUT
CURVE 100G-HS	508	1145	364	74%	8



Dimensions shown above are in millimetres. Reference dimensions only. We recommend measuring individual units at installation.

Refer to installation manual for detailed specifications on installing this product. Heat & Glo reserves the right to update units periodically. The flame and overall appearance may vary based on the type of fuel burned and the venting configuration used. Pictures in this brochure are not the true representation of the fireplace and/or flames.

FEATURES

- Full glass viewing door
- Smooth, contemporary matte black finish
- Modern, upright design broadens placement options
- Efficient, intermittent heat source
- Clean burning technology
- Renewable energy source
- Standard firebox and stove size
- Built by the industry leader
- Tested and approved.
- Stainless steel handle
- Convenient self-contained wood storage
- Approval Number: H734/0613

OPTIONS

- Glass hearth pad

CLEARANCES	PARALLEL POSITIONING	CORNER POSITIONING
MIN DISTANCE FROM UNIT TO SIDE WALL	225mm	225mm
MIN DISTANCE FROM UNIT TO BACK WALL	125mm	125mm
MIN DISTANCE FROM DOOR TO FLOOR PROTECTOR SIDE	200mm	200mm
FLOOR PROTECTOR MIN DEPTH	665mm	665mm
FLOOR PROTECTOR MIN WIDTH	500mm	500mm

The Curve 100 provides compact eco-friendly heating with a large glass front viewing door.

HEAT & GLO
No one builds a better fire

STAINLESS STEEL HANDLE FINISH



GLASS VIEWING DOOR



OPTIONAL GLASS HEARTH PAD



Please contact us at:

VIC: 03 9429 5573 • NSW: 02 9597 7222

QLD: 07 3490 5500

WA: (Fireplace Corner) 08 9228 2600

SA: 08 8371 1222 • ACT: 02 6280 6021

Web: www.jetmaster.com.au